



## ISG™ 24C708AF Photo ID Camera with Flash

A great camera option for high-quality, low-cost, consistent image capture for use with any photo ID card system

### Key Features

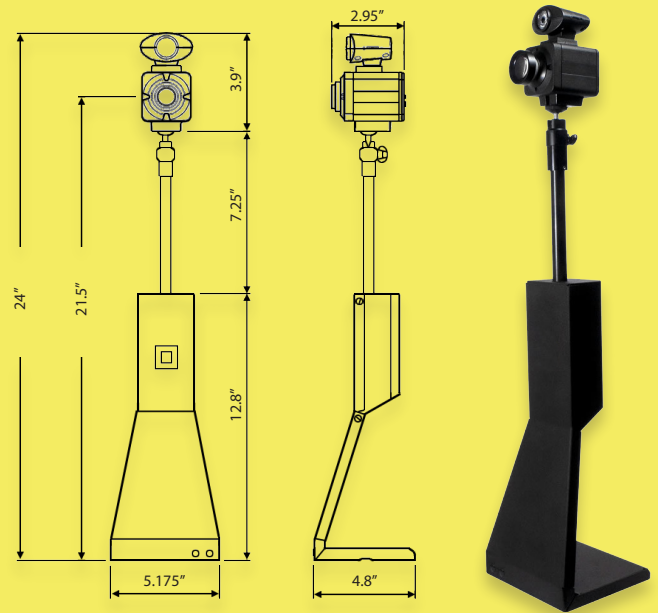
- Progressive scan 5.0 megapixel 1/4" CMOS sensor
- Optical Zoom for automatic framing of still images
- Synchronized USB-powered LED flash & auto focus
- Preview mode
- MJPEG compression
- Optional 2x or 5x diopters & dual flash control
- DirectX/DirectShow, WDM & TWAIN compatible
- And much more!

The ISG™ 24C708AF Photo ID Camera is ideal for customers that need a reliable and flexible photo ID solution. The 24C708AF is a compact and robust USB camera that captures high quality images, a key requirement for most photo ID systems. Using DirectX/DirectShow, WDM or TWAIN, the camera can integrate with most identification software applications, and unlike consumer cameras, the 24C708AF is built for long-term, high-volume use with a one-year factory warranty.

The ISG™ 24C708AF-SYS includes the reliable camera and cables, as well as a sturdy, weighted base to help you maintain consistent image capture processing. The base includes a telescopic pole to adjust for height on your counter or desktop. The stand weighs 1.587kg (3.5 lbs), to keep it solidly in place in high traffic areas, but light enough to move to different locations as needed.

The 24C708AF camera can work with any photo ID software for capturing consistent, high-quality images.

The ISG™ 24C708AF camera has been tested and approved for integration with all common ISG ID software solutions, and is supported by all ISG member dealers that serve across the USA and Canada.



## Technical Specifications

Camera (Primary Specs)	
Image Sensor	Progressive Scan, 5 megapixel 1/4" CMOS Sensor
Compression	MJPEG
Pixel Size	1.4µm x 1.4µm
Resolution	2592x1944 thru 320x240 pixels
Field of View	40° x 30° (HxV)
Dynamic Range	68dB
Interface	USB 2.0
Power Usage	≤ 0.5mA
Supported OS	Windows Vista, 7, 8, 10 & XP (32 bit & 64 bit), Linux & Mac OS

Camera (Primary Specs)	
UVC Controls	Still Capture, Flash, Exposure, White Balance, Focus, Brightness, Hue, Backlight Compensation, Saturation, Sharpness, Contrast, Gamma, Gain
SW Interfaces	DirectX/DirectShow Compliant Twain Compatible 32 bit & 64 bit SDK Options
Dimensions	1.97" W x 3.94" H x 2.95" D 50mm x 100mm x 75mm with flash
Weight	154 g (5.4 oz.)
Warranty	1 year on parts & labor

Your Local ISG Dealer

Our ISG™ camera solutions are built to be a long term solution for your photo ID needs. Even after the warranty period expires, we will continue to offer tech support and service for the lifetime of the camera. We also encourage all new camera customers to contact us for guidance during setup for training to ensure optimal image quality.

If you are looking for the highest quality photo ID camera in a reliable package, you need to look no further than the ISG.



### About the ISG

The Identification Systems Group (ISG) is a nationwide network of local experts in identification, security, tracking and card personalization technologies, providing high quality, cost-effective solutions backed by local support and the strength of our Professional Services Certification program. Each member company works together to provide seamless support and collaboration in the identification and issuance industries across the USA and Canada.

[www.IdentificationSystemsGroup.com](http://www.IdentificationSystemsGroup.com)

